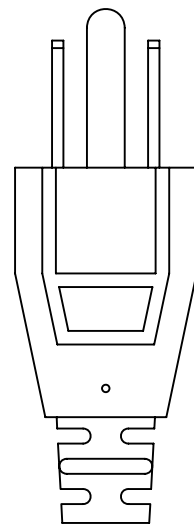
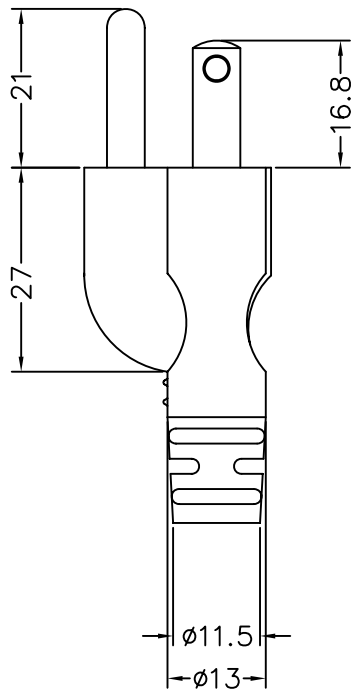
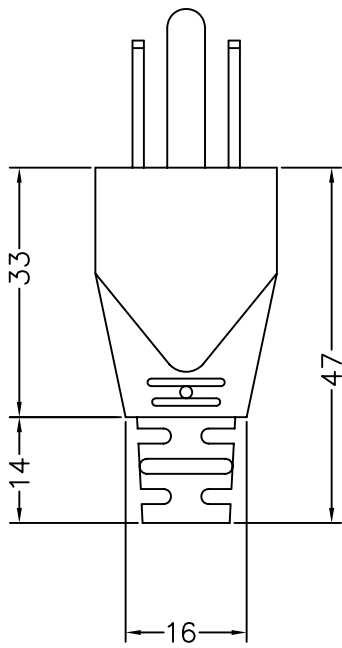
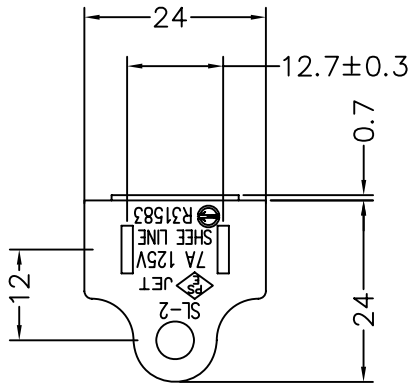


| | | | | |
|-------|---------------|---|---|-----------|
| 1 | | 2 | 3 | 4 |
| RevNo | Revision note | | | Date |
| | | | | Signature |
| | | | | Checked |



| | | | | |
|---|------------------------|------------|-----------------------|--------------------|
| F | Sultable Flexible Cord | Tolerance | Approved: | 升林有限公司 |
| | | > 0 ±0.3 | Checked: | |
| | | > 1 ±0.5 | Drawing By: Tina Wang | |
| | | > 10 ±0.1 | Date: | |
| | > 20 ±0.2 | Angle: ±1 | | Description: |
| | | | | Material: |
| | Specification Use Only | Scale: 1/1 | Rev.1 | Unit: mm |
| | | | | Drawing NO: SL-2-A |