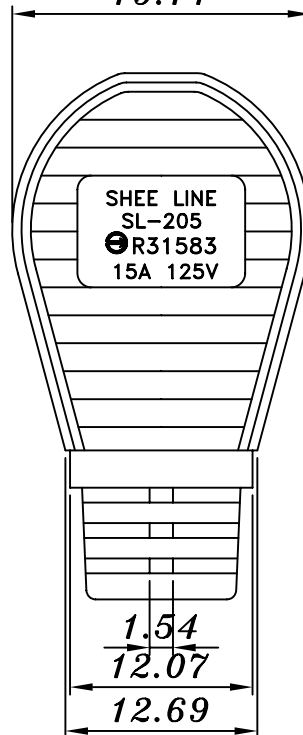
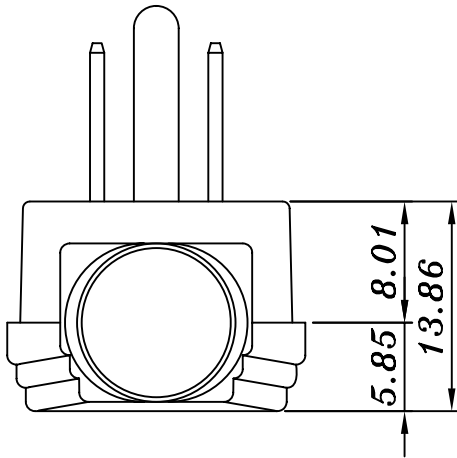
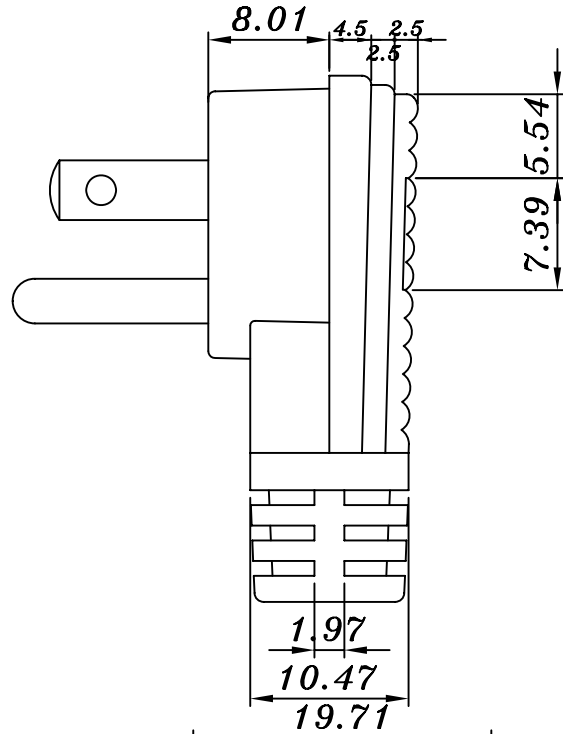
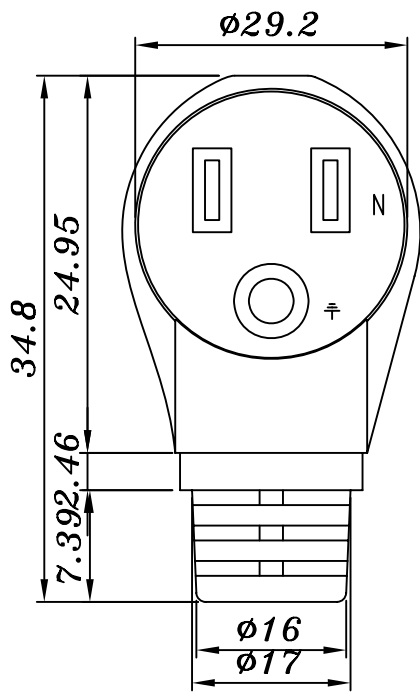
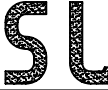


1	2	3	4
RevNo	Revision note	Date	Signature
			Checked



Sultable Flexible Cord	Tolerance	Approved:	 升林有限公司	
	> 0 ±0.3	Checked:		
	> 1 ±0.5	Drawing By: Tina Wang		Description:
	> 10 ±0.1	Date:		Material:
> 20 ±0.2	Angle: ±1	Scale: 1/1	Rev.1	
Specification Use Only		Unit: mm	Drawing NO: SL-205	