

1	2	3	4
RevNo	Revision note	Date	Signature
			Checked

A

A

B

B

C

C

D

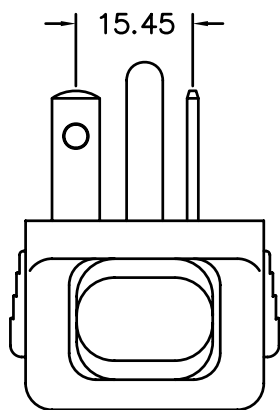
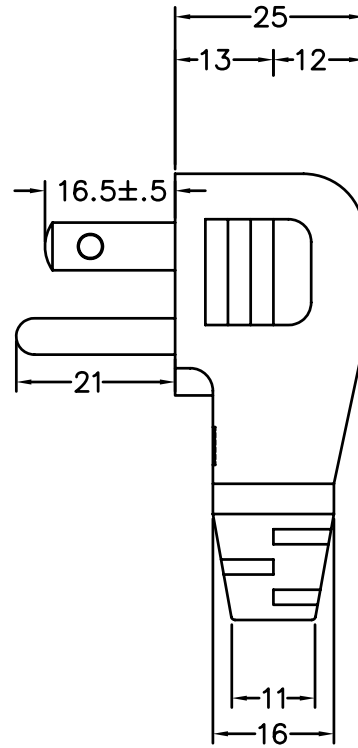
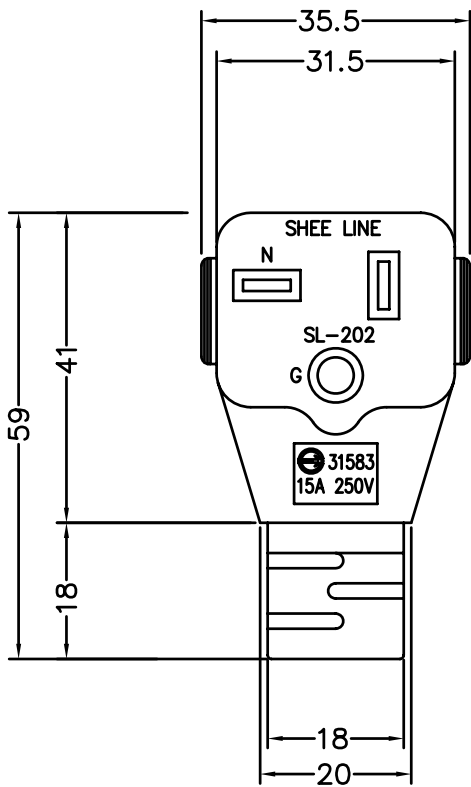
D

E

E

F

F



Specification Use Only	Tolerance	Approved:	SL 升林有限公司	
	> 0 ±0.3	Checked:		
	> 1 ±0.5	Drawing By: Tina Wang		Description:
	> 10 ±0.1	Date:		Material:
	> 20 ±0.2	Rev.1		
	Angle: ±1	Unit: mm	Drawing NO: SL-202	

1

4