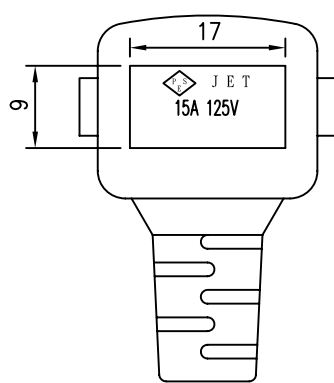
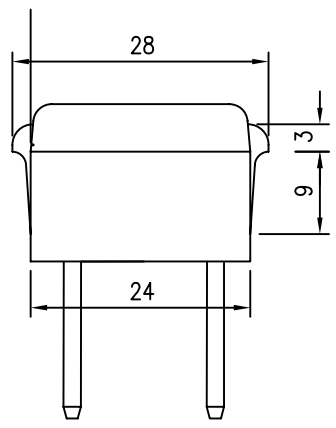


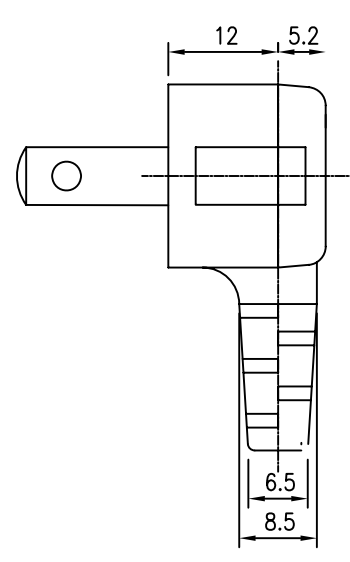
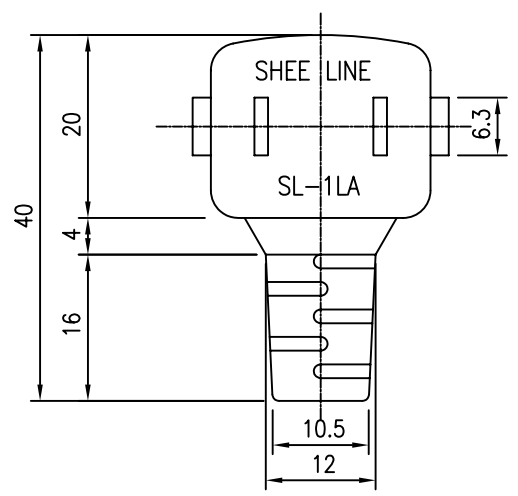
1	2	3	4	RevNo	Revision note	Date	Signature	Checked
---	---	---	---	-------	---------------	------	-----------	---------

A

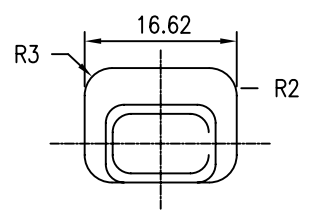


B

C



D



E

DRAW:880102-4

F	Sultable Flexible Cord	Tolerance	Approved:		<b>升林有限公司</b>		
		<ul style="list-style-type: none"> <li>&gt; 0 ±0.3</li> <li>&gt; 1 ±0.5</li> <li>&gt; 10 ±0.1</li> <li>&gt; 20 ±0.2</li> <li>Angle: ±1</li> </ul>	Checked:				
	Specification Use Only		Scale: 1/1	Drawing By: Tina Wang		Description:	
			Rev.1	Unit: mm		Drawing NO: SL-1LA	Material: