

1	2	3	4
RevNo	Revision note	Date	Signature
			Checked

A

B

C

D

E

F

A

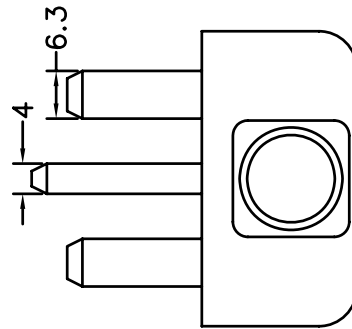
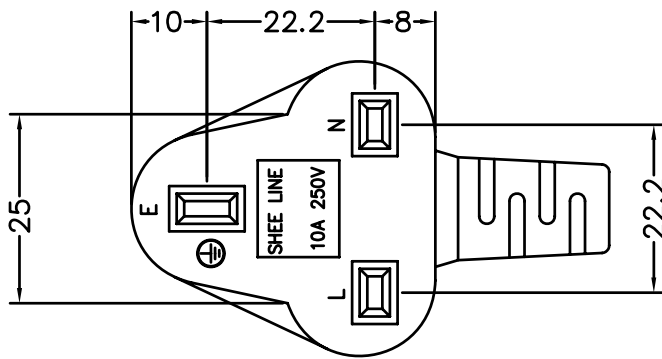
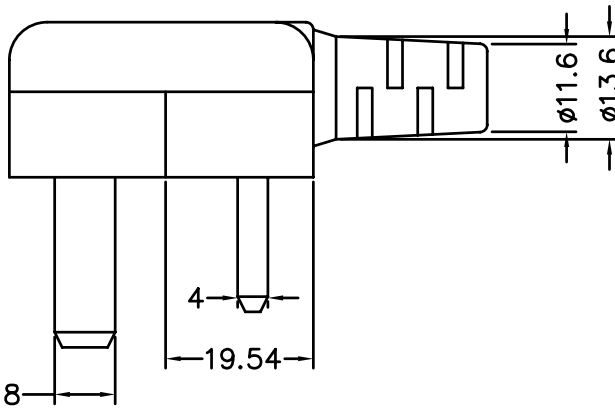
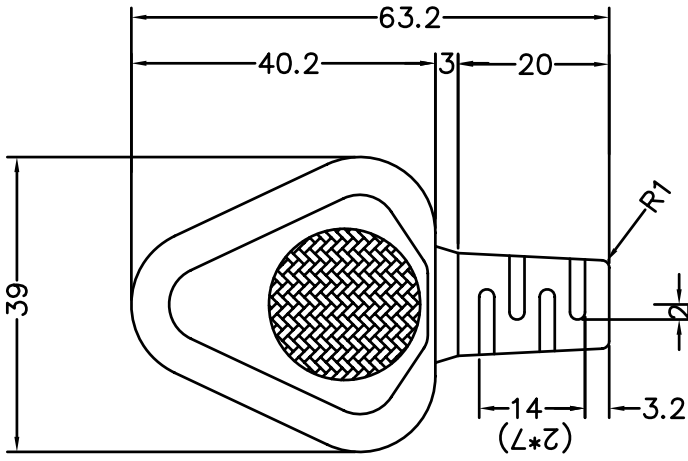
B


C

D

E

F



Specification Use Only	Sultable Flexible Cord	Approved:	 升林有限公司
	Tolerance	Checked:	
	> 0 ±0.3	Drawing By: Tina Wang	
	> 1 ±0.5	Date:	
> 10 ±0.1		Description:	
> 20 ±0.2		Material:	
Angle: ±1	Scale: 1/1	Rev.1	Unit: mm
			Drawing NO: SL-A01

1

4