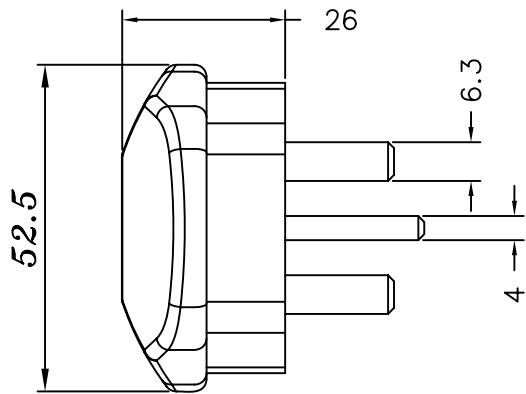
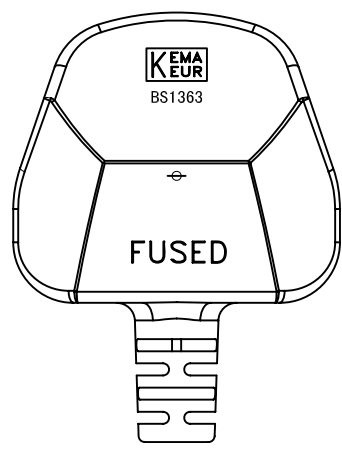
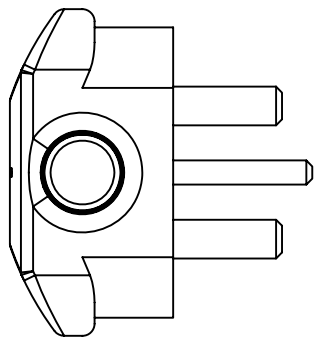
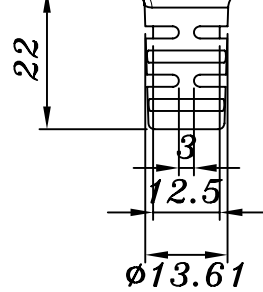
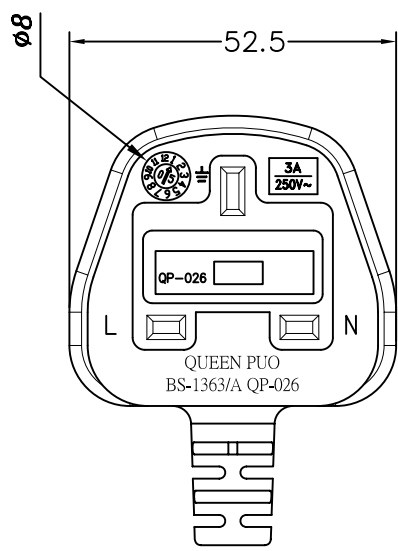
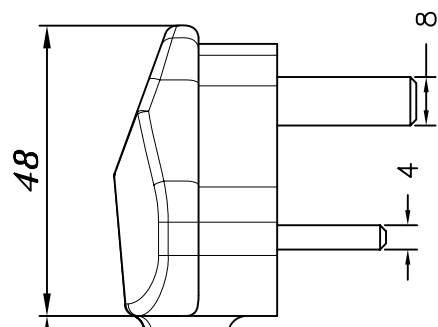



1	2	3	4
RevNo	Revision note	Date	Signature
			Checked



- 3A  
250V~
- 5A  
250V~
- 13A  
250V~



Sultable Flexible Cord	Tolerance	Approved:	 <b>升林有限公司</b>	
	> 0 ±0.3	Checked:		
	> 1 ±0.5	Drawing By: Tina Wang		Description:
	> 10 ±0.1	Date:		Material:
> 20 ±0.2	Angle: ±1	Scale: 1/1	Unit: mm	
Specification Use Only		Rev.1	Drawing NO: QP-026	