

1	2	3	4
RevNo	Revision note	Date	Signature
			Checked

A

A

B

B

C

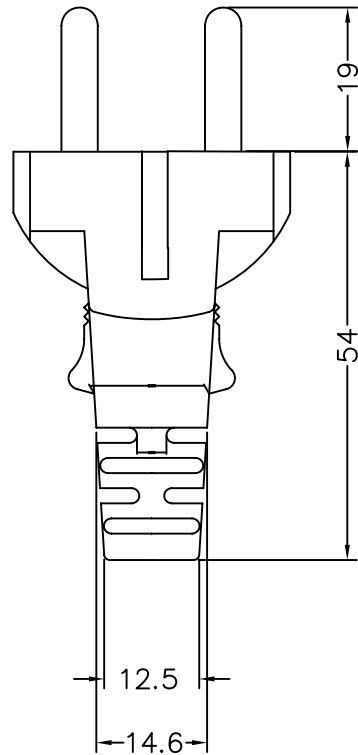
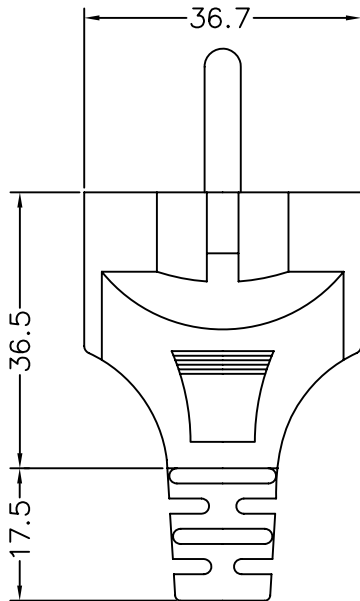
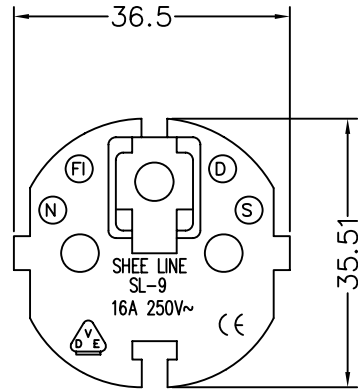
C

D

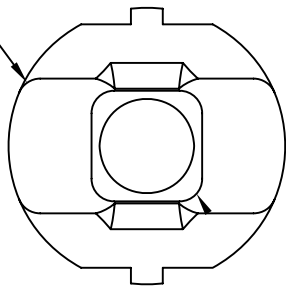
D

E

E

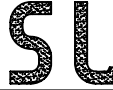


R3\*4



F

F

Sultable Flexible Cord	Tolerance	Approved:	 升林有限公司
	> 0 ±0.3	Checked:	
	> 1 ±0.5	Drawing By: Tina Wang	
	> 10 ±0.1	Date:	
> 20 ±0.2	Angle: ±1		Description:
Specification Use Only	Scale: 1/1	Rev.1	Material:
			Unit: mm
			Drawing NO: SL-9

1

4