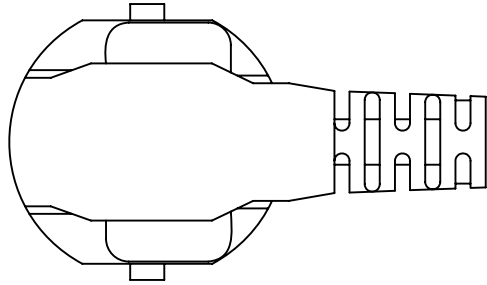


1	2	3	4	RevNo	Revision note	Date	Signature	Checked
---	---	---	---	-------	---------------	------	-----------	---------

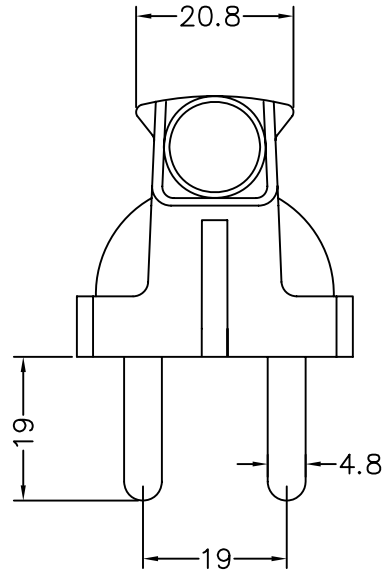
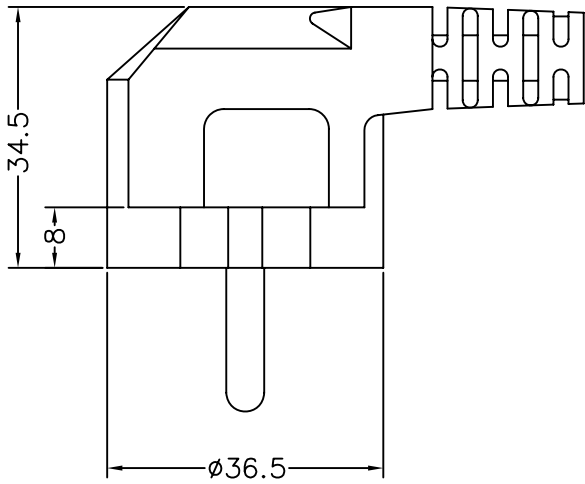
A

A



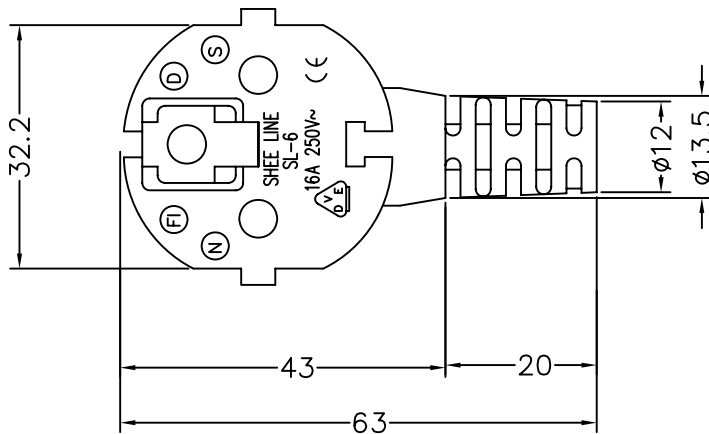
B

B



D

D



E

E

F

F

Specification Use Only	Sultable Flexible Cord	Tolerance	Approved:	<b>升林有限公司</b>	
		> 0 ±0.3 > 1 ±0.5 > 10 ±0.1 > 20 ±0.2 Angle: ±1	Checked:		Description:
			Drawing By: Tina Wang		Material:
			Date:		
	Scale: 1/1	Rev.1	Unit: mm	Drawing NO: SL-6	

1

4