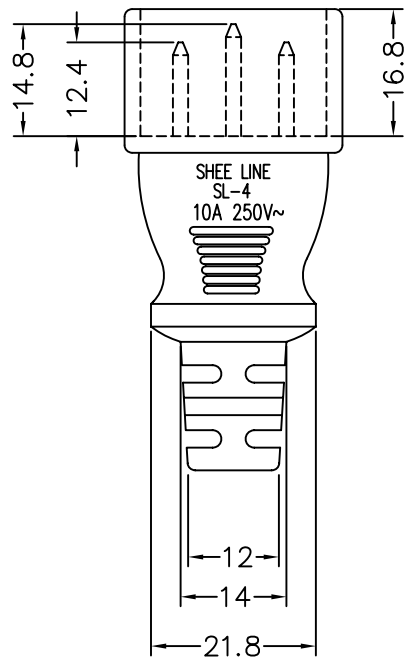
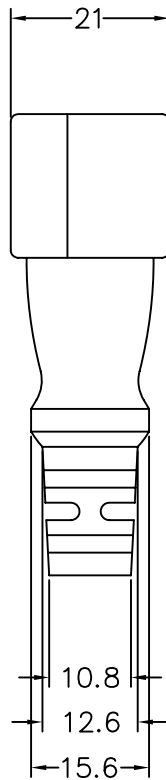
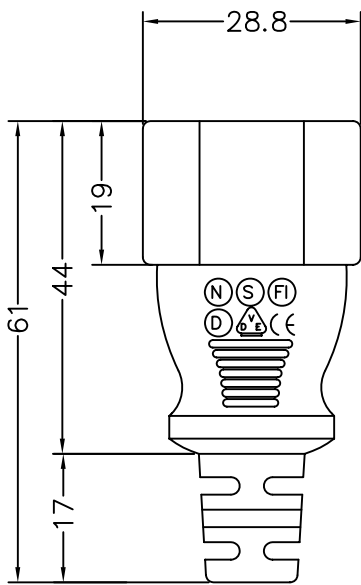
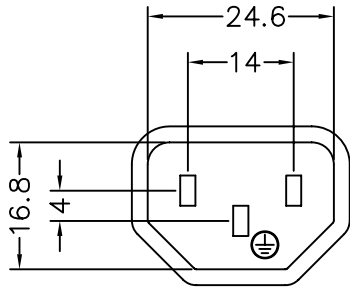


1	2	3	4
RevNo	Revision note	Date	Signature
			Checked



F	Sultable Flexible Cord	Tolerance	Approved:	升林有限公司	
		<ul style="list-style-type: none"> > 0 ±0.3 > 1 ±0.5 > 10 ±0.1 > 20 ±0.2 Angle: ±1 	Checked:		Description:
			Drawing By: Tina Wang		Material:
			Date:		
	Specification Use Only	Scale: 1/1	Rev.1	Unit: mm Drawing NO: SL-4-A	