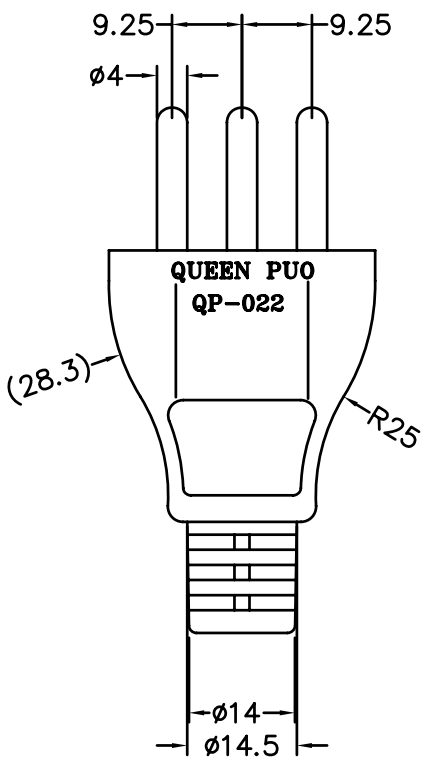
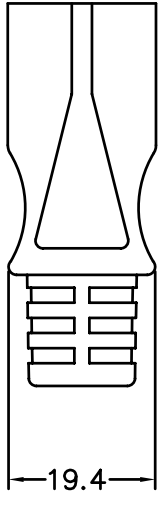
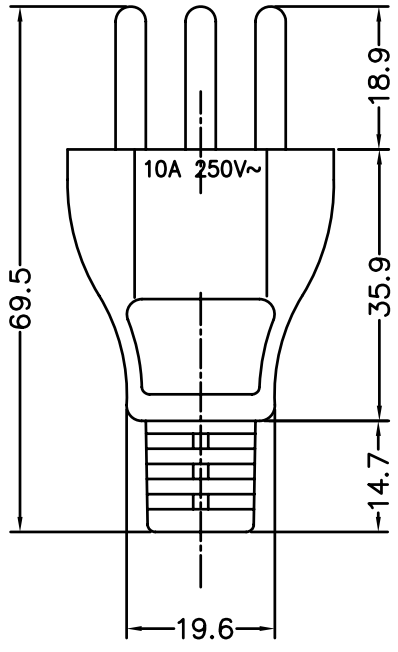
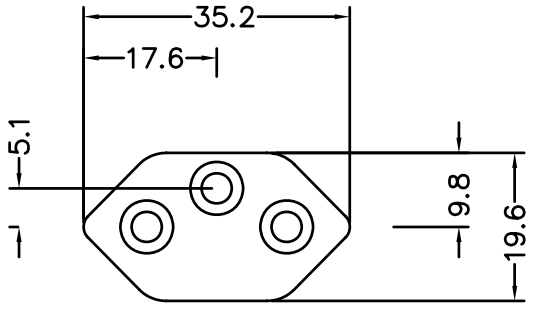


| | | | |
|-------|---------------|------|-----------|
| 1 | 2 | 3 | 4 |
| RevNo | Revision note | Date | Signature |
| | | | Checked |



| | | | | |
|---|------------------------|-------------------------------------------------------------|-----------------------|-----------------------------------------------|
| F | Sultable Flexible Cord | Tolerance | Approved: | SL 升林有限公司 Description: Material: |
| | | > 0 ±0.3 > 1 ±0.5 > 10 ±0.1 > 20 ±0.2 Angle: ±1 | Checked: | |
| | | | Drawing By: Tina Wang | |
| | | | Date: | |
| | Specification Use Only | Scale: 1/1 | Rev.1 | Unit: mm Drawing NO: SL-24 |