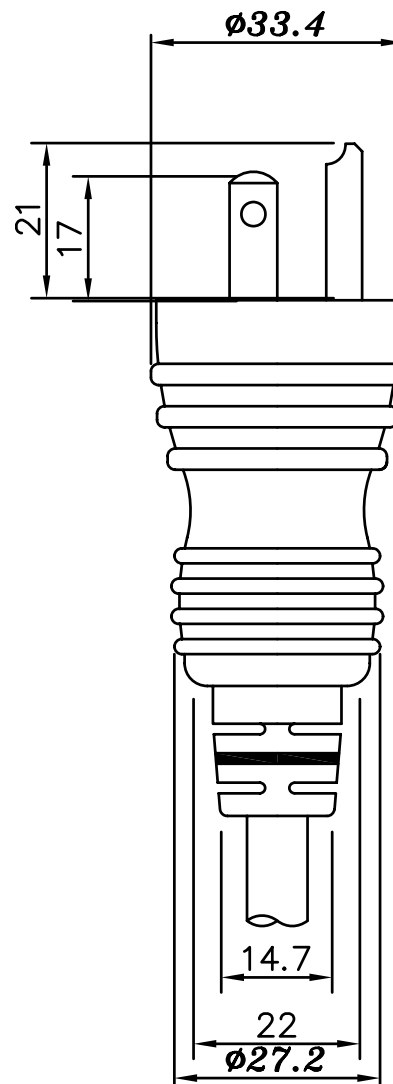
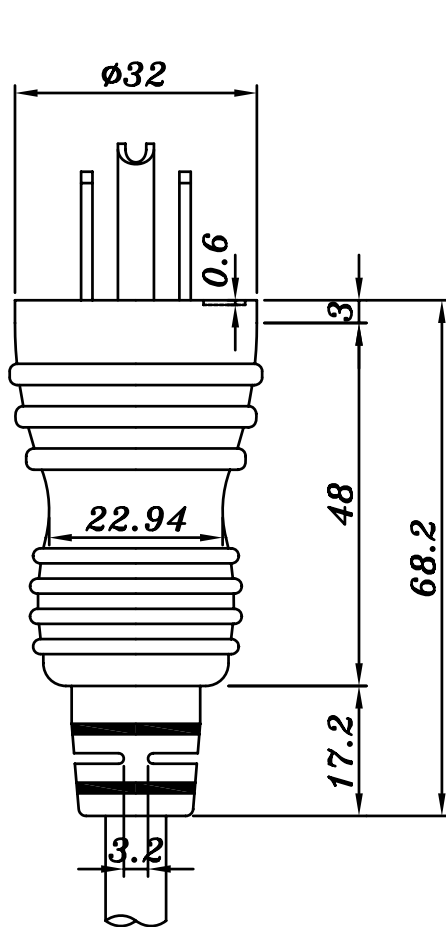
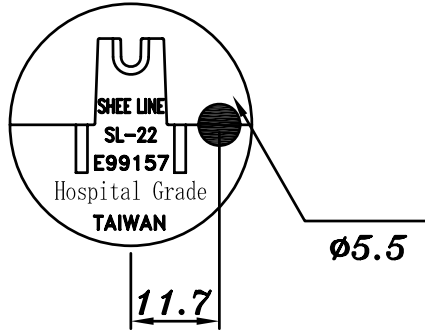


1	2	3	4
RevNo	Revision note	Date	Signature
			Checked



F	Sultable Flexible Cord	Tolerance	Approved:	SL 升林有限公司 Description: Material:
		> 0 ±0.3 > 1 ±0.5 > 10 ±0.1 > 20 ±0.2 Angle: ±1	Checked:	
			Drawing By: Tina Wang	
			Date:	
	Specification Use Only	Scale: 1/1	Rev.1	Unit: mm Drawing NO: SL-22