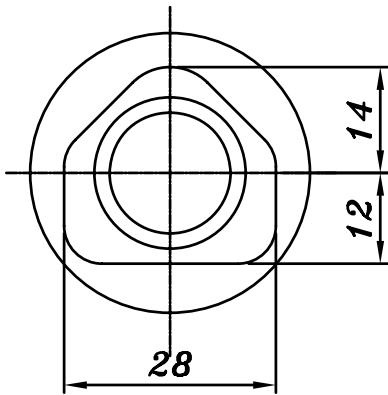
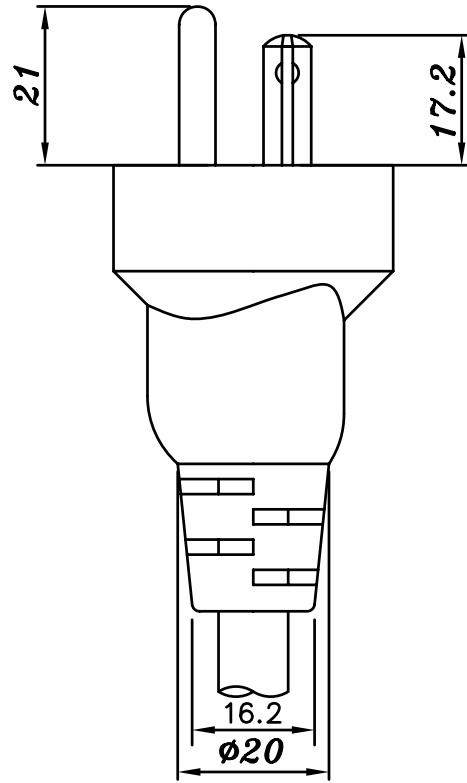
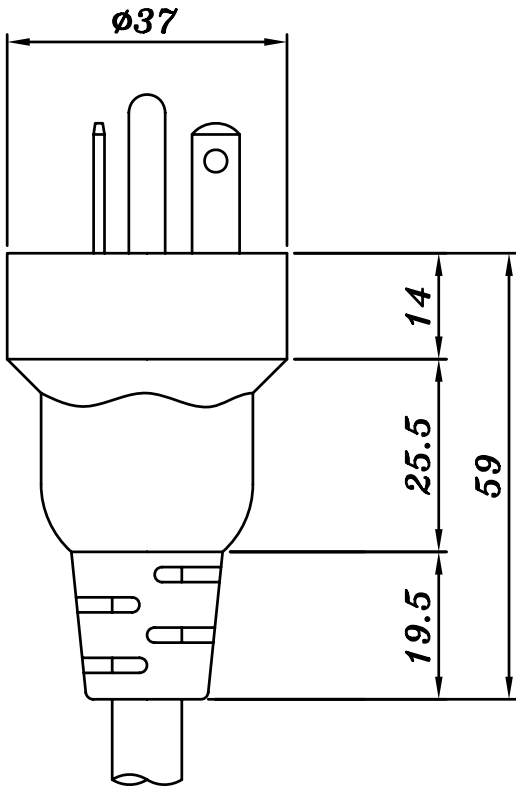
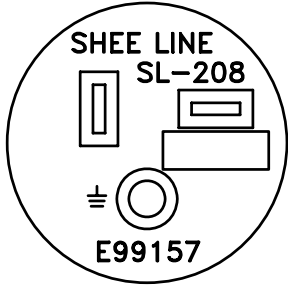


1	2	3	4
RevNo	Revision note	Date	Signature
			Checked



Specification Use Only	Tolerance	Approved:	<b>SL</b> 升林有限公司 Description: Material:
	> 0 ±0.3	Checked:	
	> 1 ±0.5	Drawing By: Tina Wang	
	> 10 ±0.1	Date:	
> 20 ±0.2	Angle: ±1	Unit: mm	Drawing NO: SL-208