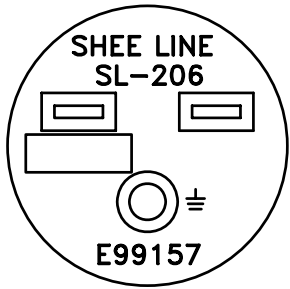
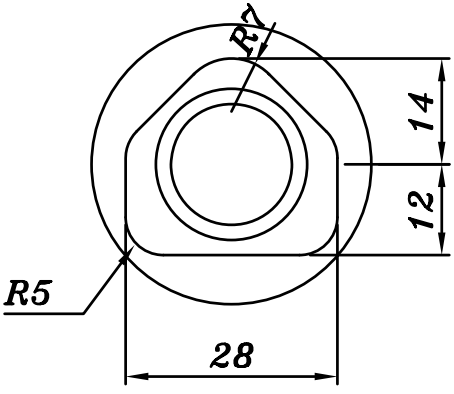
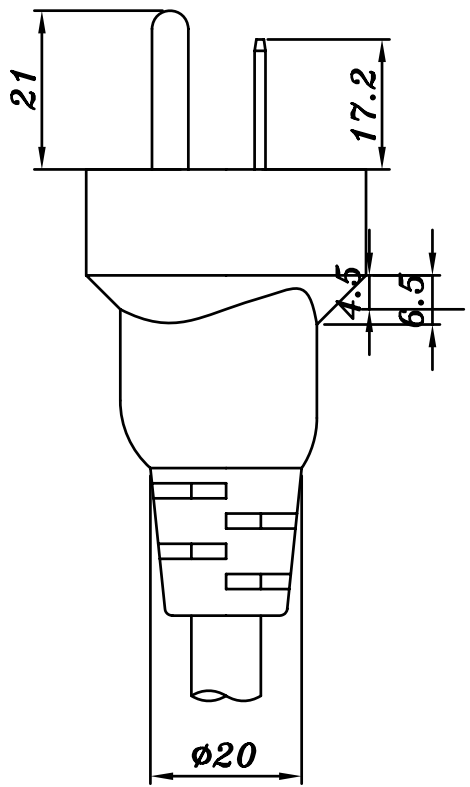
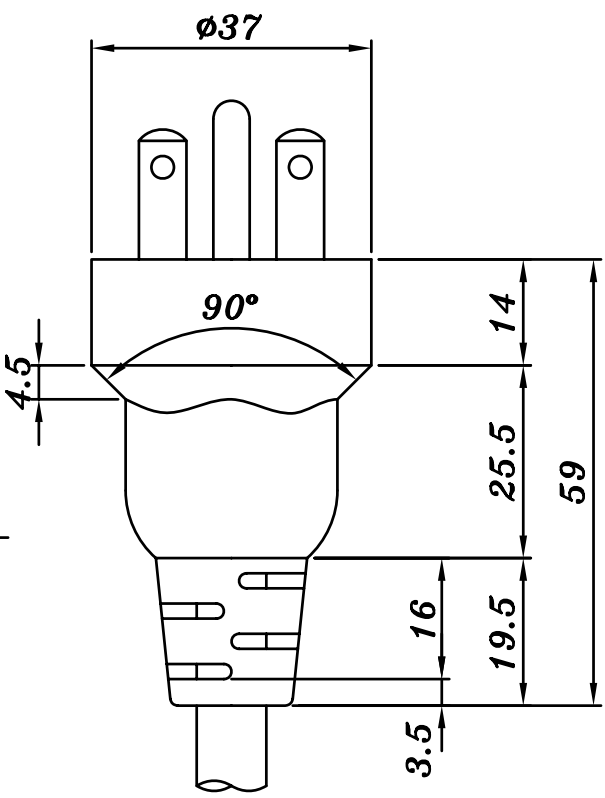


1	2	3	4
RevNo	Revision note	Date	Signature Checked



A
B
C
D
E
F

A
B
C
D
E
F



Specification Use Only	Sultable Flexible Cord	Approved:	升林有限公司	
	Tolerance	Checked:		
	> 0 ±0.3 > 1 ±0.5 > 10 ±0.1 > 20 ±0.2 Angle: ±1	Drawing By: Tina Wang		Description:
		Date:		Material:
	Scale: 1/1	Rev.1	Unit: mm Drawing NO: SL-206	