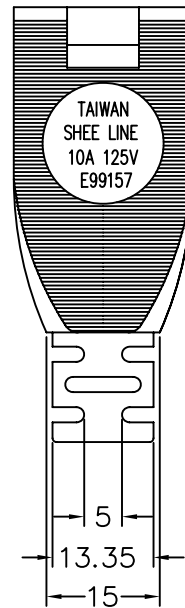
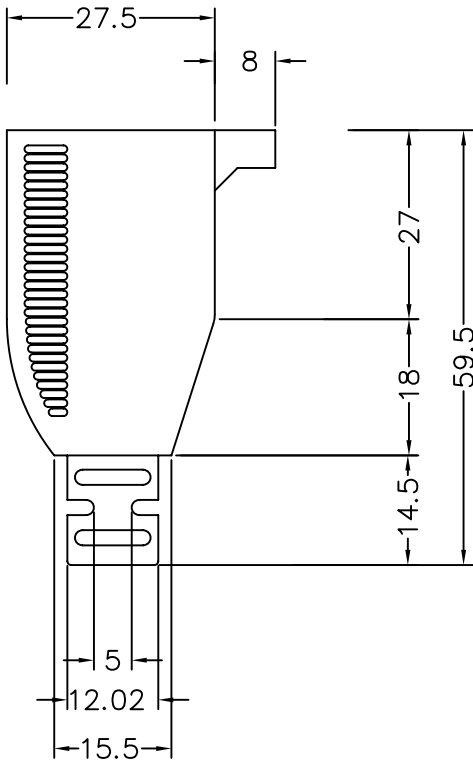
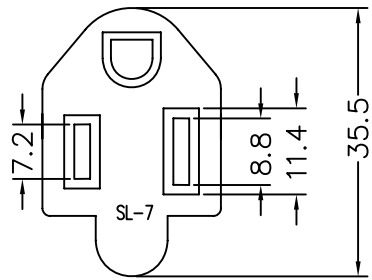
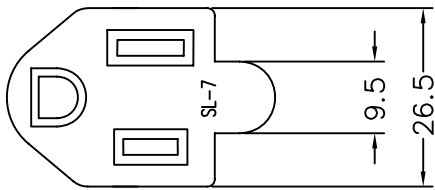



1	2	3	4
RevNo	Revision note	Date	Signature
			Checked

TAIWAN SHEE LINE
15A 125V
E99157

TAIWAN SHEE LINE
13A 125V
E99157

TAIWAN SHEE LINE
10A 125V
E99157



Sultable Flexible Cord	Tolerance	Approved:	 升林有限公司	
	> 0 ±0.3	Checked:		
	> 1 ±0.5	Drawing By: Tina Wang		Description:
	> 10 ±0.1	Date:		Material:
> 20 ±0.2	Angle: ±1			
Specification Use Only	Scale: 1/1	Rev.1	Unit: mm Drawing NO: SL-7	