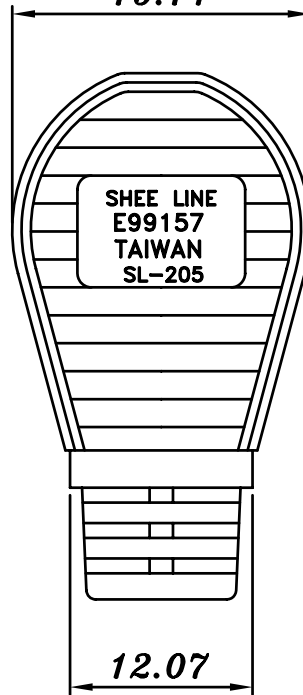
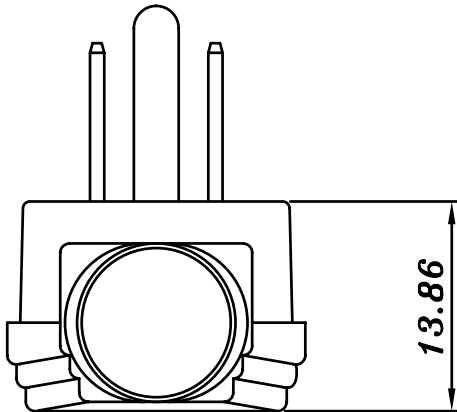
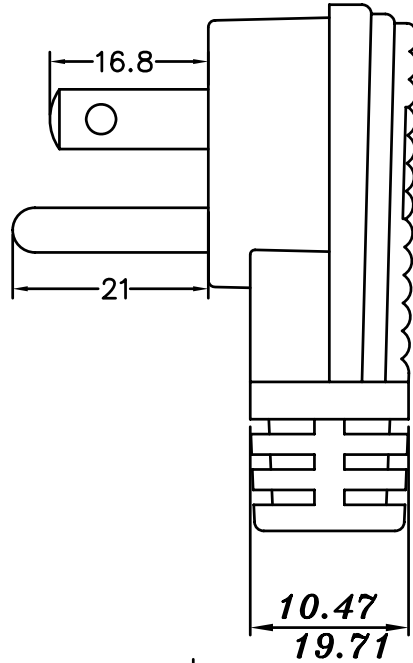
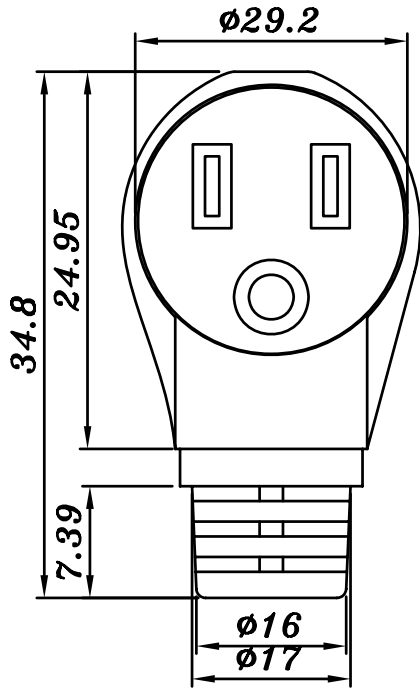


1	2	3	4
RevNo	Revision note	Date	Signature
			Checked



F	Sultable Flexible Cord	Tolerance	Approved:	<b>SL</b> 升林有限公司	
		> 0 $\pm 0.3$ > 1 $\pm 0.5$ > 10 $\pm 0.1$ > 20 $\pm 0.2$ Angle: $\pm 1$	Checked:		
			Drawing By: Tina Wang		Description:
			Date:		Material:
	Specification Use Only	Scale: 1/1	Rev.1	Unit: mm    Drawing NO: SL-205	