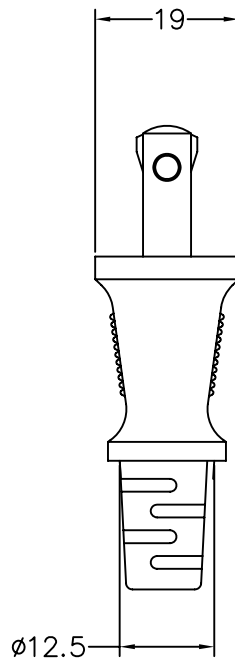
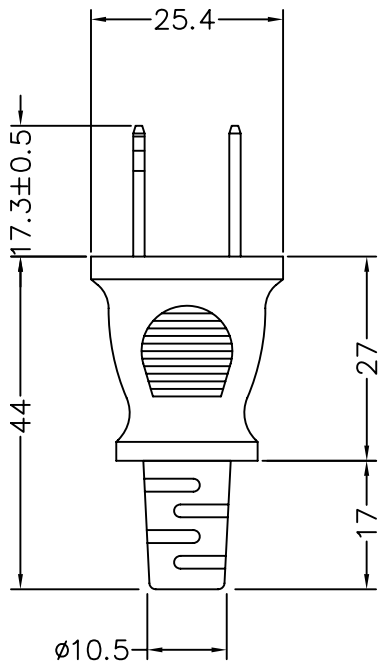
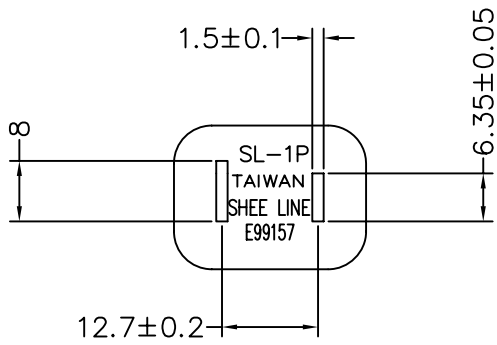



1	2	3	4
RevNo	Revision note	Date	Signature
			Checked



Specification Use Only	Sultable Flexible Cord	Approved:	 升林有限公司	
	Tolerance	Checked:		
	$> 0 \pm 0.3$ $> 1 \pm 0.5$ $> 10 \pm 0.1$ $> 20 \pm 0.2$ Angle: ± 1	Drawing By: Tina Wang		Description:
		Date:		Material:
	Scale: 1/1	Rev.1	Unit: mm	Drawing NO: SL-1P-A